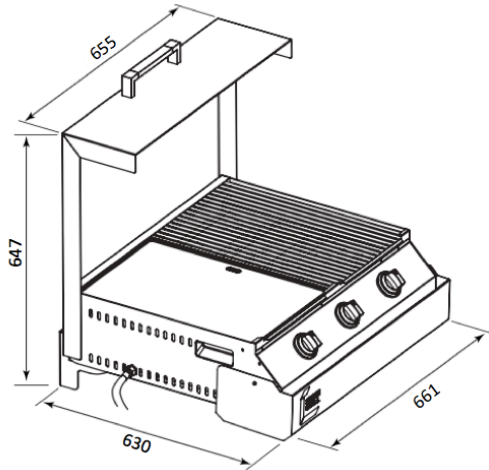
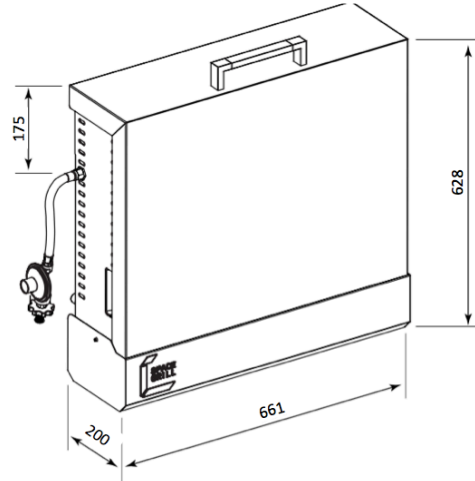


# KEY MEASUREMENTS

## Cooking mode



## Storage mode



## Installation position

